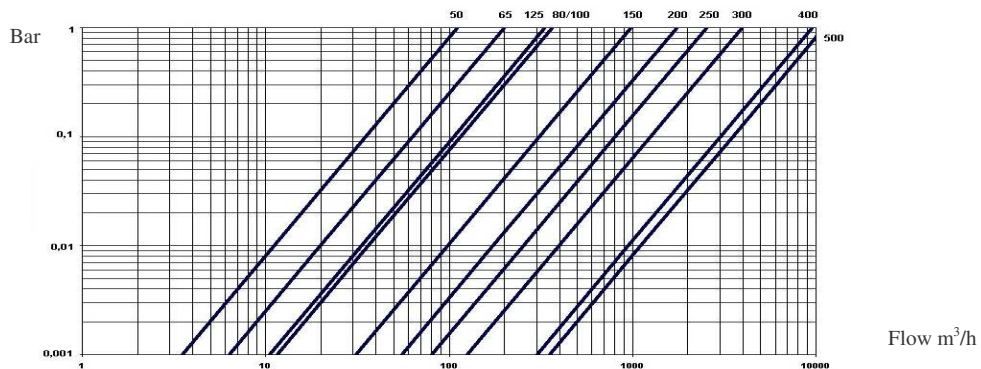
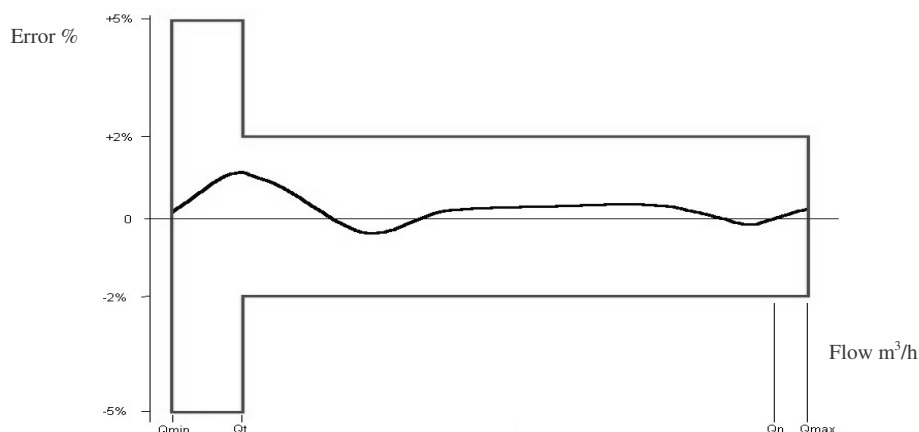



CHARACTERISTICS:

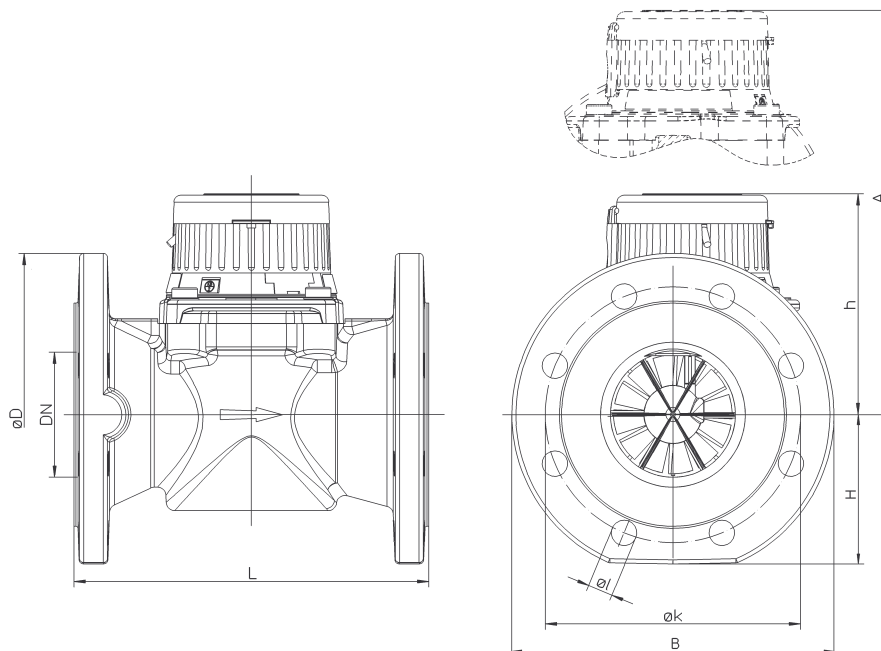
Woltmann interchangeable type meter axial helix.

- Approved in Class B EEC 75/33.
- Cast iron body flanged PN 10 o PN 16 (high pressure versions PN25/40 available on request) painted outside and inside with epoxy powder varnish (thickness 150 micron).
- Magnetic coupling.
- Working temperature 30°C , security up to 50°C (high temperature versions up to 90°C and 120°C available on request).
- Bi-directional recording of dates. On request the meter can be supplied with Class B verification for forward flow (up to 125 mm)
- Reading drums according to AWWA rules (U.S.A.) width X height = 4,2 X 4,8 mm.
- Clockworks under vacuum (no condensation) with glass cover and copper capsule IP 68. The clockworks can be rotate by 360°.
- Horizontal or Vertical installation.
- Pre-equipped for 3 pulse emitters (2 reed-switch + 1 opto).
- Available on request special clockworks with LCD display and M-BUS output.

HEADLOSS DIAGRAM

TYPICAL ERROR CURVE


OVERALL DIMENSIONS AND HYDRAULIC PERFORMANCES

SIZE	mm	50	65	80	100	125	150	200	250	300	400	500
Approval performances												
Class B 75/33												
Qmin	m ³ /h	0.45	0.75	1.2	1.8	3	4.5	7.5	12	18	30	120
Qt	m ³ /h	3	5	8	12	20	30	50	80	120	200	450
Qn	m ³ /h	15	25	40	60	100	150	250	400	600	1000	1500
Qmax	m ³ /h	30	50	80	120	200	300	500	800	1200	2000	3000
Real Performances												
Qmin												
Horizontal Installation	m ³ /h	0.35	0.45	0.5	0.6	0.6	1.8	4.0	12.0	18	30	45
Vertical Installation	m ³ /h	0.5	1.0	0.5	0.6	0.6	1.8	4.0		-	-	-
Qt												
Horizontal Installation	m ³ /h	1	1.2	0.8	1.8	2	4	6	20	50	50	80
Vertical Installation	m ³ /h	3	5	0.8	1.8	2	4	6				
Qp (permanent charge)	m ³ /h	30	50	120	230	250	250	325	600	700	1250	2000
Qmax	m ³ /h	90	120	200	300	350	350	650	1200	1500	2800	4200
Starting flow	m ³ /h	0.09	0.13	0.16	0.19	0.19	1.5	2.5	5	10	15	20
Flow at 0.1 bar headloss	m ³ /h	35	63	115	115	105	310	550	800	1250	3000	3500
Maximum Reading	m ³	10 ⁶	10 ⁶	10 ⁶	10 ⁶	10 ⁶	10 ⁷	10 ⁷	10 ⁷	10 ⁷	10 ⁸	10 ⁸
Minimum Reading	l	1	1	1	1	1	10	10	10	10	100	100
H	mm	75	83	89	105	115	135	163	193	230	290	360
h	mm	123	123	154	154	154	245	245	242	290	350	410
A	mm	225	225	275	275	275	475	475	472	520	580	660
B	mm	155	155	200	220	250	285	340	405	460	580	715
D	mm	165	185	200	220	250	285	340	405	460	580	715
L	mm	200	200	225(200)	250	250	300	350	450	500	500	500
Nr. of holes		4	4	4/8	8	8	8	8/12	12	12	16	20
Weight	kg	10.2	11.2	13	16	21.5	39	47	75	165	220	300
PN	bar	16	16	16-10	16	16	16	16-10	10	10	10	10
Pre-equipment for pulses												
Reed1	m ³ /Imp	0.1	0.1	0.1	0.1	0.1	1	1	1	1	10	10
Reed2	m ³ /Imp	1	1	1	1	1	10	10	10	10	100	100
Opto	l/Imp	1	1	1	1	1	10	10	10	10	100	100
EEC approval number		D92 6.132.33	D92 6.132.33	D02 6.132.42	D02 6.132.42	D02 6.132.42	D02 6.132.43	D02 6.132.43	6.132 92.07	6.132 92.07	6.132 92.07	6.132 92.07



 **maddalena**