



KAYCEE

Brand that set the standards



TYPE 'KF'

20-32-63-100 Amp. /500 V

TYPE 'KP'

20 Amp. /500 V

H.R.C. FUSE FITTINGS

TESTED AS PER IS 9224 AT
VJIT, MUMBAI FOR

- HIGH VOLTAGE TEST
- INSULATION RESISTANCE TEST
- TEMPERATURE RISE

RATING

KAYCEE moulded fuse fittings type 'KF' are available in FOUR RATINGS, 20, 32, 63 and 100 Amp. They are suitable for front wiring at both ends. Back connected type 'KP' available in 20 Amp only.

FEATURES

- Base and Carrier Moulded from High Grade Phenolic Compound.
- Base and Carrier Moulding are non-inflammable and non-hygroscopic, Surface-Hard gloss Finish - Black.
- Phosphor Bronze Contact Clips ensures intimate contact with base contact block made from brass.
- Visible fault indication through window on carrier - removal of carrier not necessary.
- Single piece brass base contact block with adequate hole, suitable for Aluminium Cable.
- Spare fuse carriers also available.

SPECIFICATION FOR ORDERING

RATING AMP -	CARRIER AND BASE	ONLY CARRIER	RECOMMENDED FUSELINK RATINGS AMP-	RECOMMENDED CABLE SIZE SQ. Mm.
20	KF 20 BC	KF 20 OC	2 to 20	1.5 to 20
20	KF 20 BC	KF 20 OC	2 to 20	1.5 to 20
32	KF 32 BC	KF 32 OC	25.32	2.5 to 32
63	KF 63 BC	KF 63 OC	40.50.63	4 to 35
100	KF 100 BC	KF 100 OC	80.100	6 to 50

The Crimped Type Socket Adaptor Recommended for Aluminium Conductor

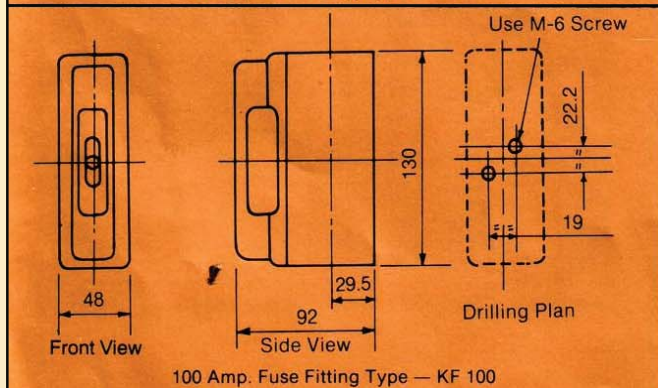
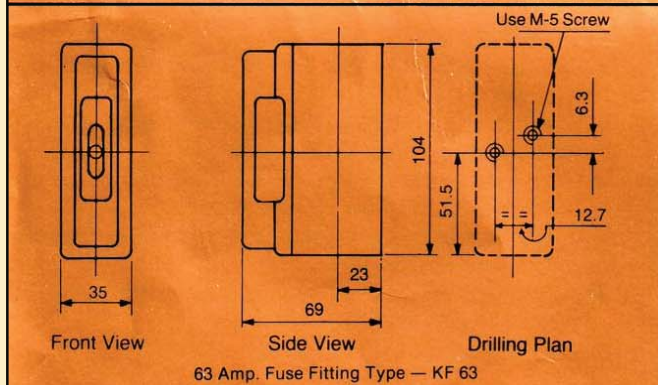
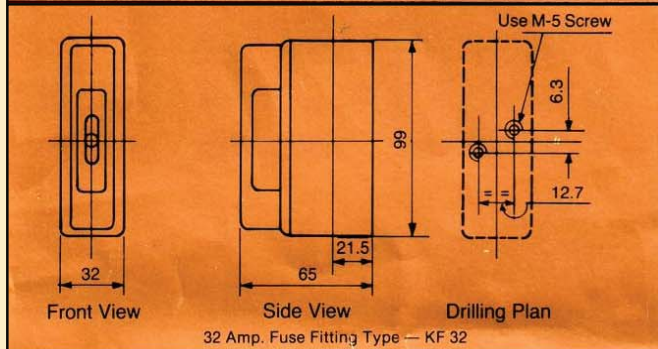
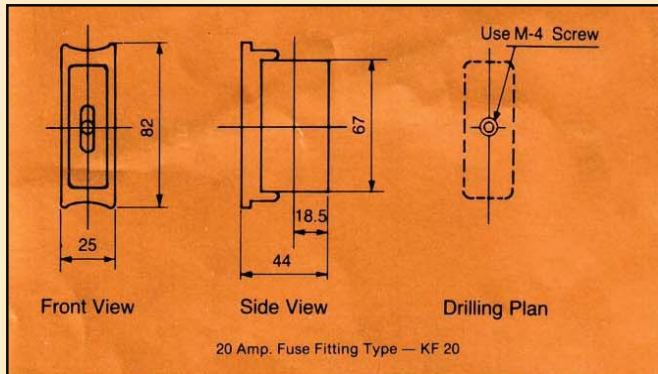
Kaycee for Commitment...
Kaycee for Quality...



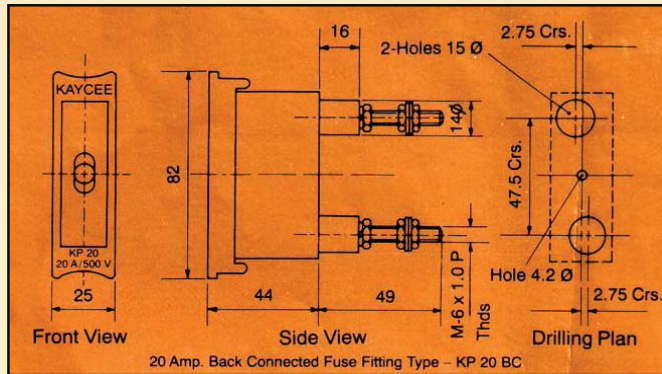
DIMENSIONAL DRAWING FOR FUSE FITTING

(Dimensions are in mm)

TYPE 'KF'



TYPE 'KP'



MOTOR STARTING APPLICATION

Recommended fuse ratings for motor starting applications.

MOTOR RATING KW	MOTOR F.L.C. AMP.	FUSE RATING	
		FOR D.O.L. START* AMP	FOR ASSISTED START † AMP
0.37	1.05	04	2
0.55	1.44	06	4
0.75	1.90	06	4
1.1	2.50	10	6
1.5	3.45	16	10
2.2	4.70	16	10
3.0	6.20	20	16
4.0	8.10	25	16
5.5	10.90	32	20
7.5	14.80	40	25
11.0	20.50	50	32
15.0	28.00	63	40
18.5	34.50		40
22.0	41.00		63
45.0	83.00		100
53.0	97.00		100

* D.O.L. = direct on line for which the starting condition is assumed to be 5 x F.L.C. for a run-up time of 5 seconds for motors upto 1 k w and 7 x F.L.C. for a run-up time of 10 seconds for larger ones.

† Assisted = star-delta starter (or similar means) for which starting condition is assumed to be 2.5 x F.L.C. for motors upto 1 k w, or 3.5 x F.L.C. for larger ones, for a run-up time of 20 seconds.

Product improvement is a continuous process at KAYCEE. The data given in this publication is therefore subject to revision.

GENERAL TOLERANCES	
FULL FIGURE	±1
UPTO 1ST DECIMAL	±0.5



Manufactured by :
KAYCEE INDUSTRIES LIMITED

32, Ramjibhai Kamani Road, Ballard Estate,
Mumbai - 400 001.
Tel. : +91 (22) 2261 3521 / 22 / 23
Fax : +91 (22) 2261 6106
E-mail : kayceeindltd@vsnl.com
Website : www.kayceeindustries.com

Branch Offices :
Delhi : 093120 04687
Kolkata : 093392 00968
Indore : 093007 51464
Bangalore : 093428 53324
Chennai : 093812 01556

