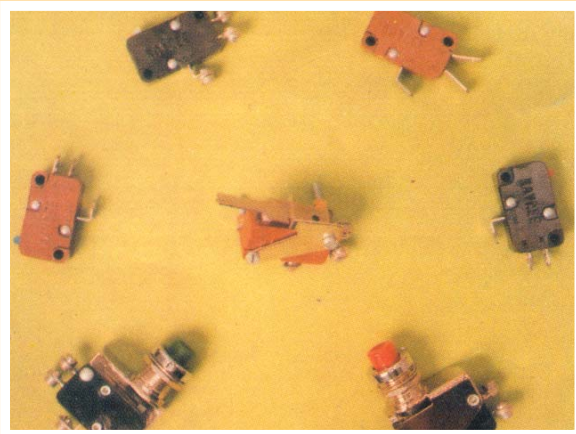




**KAYCEE**  
Brand that set the standards

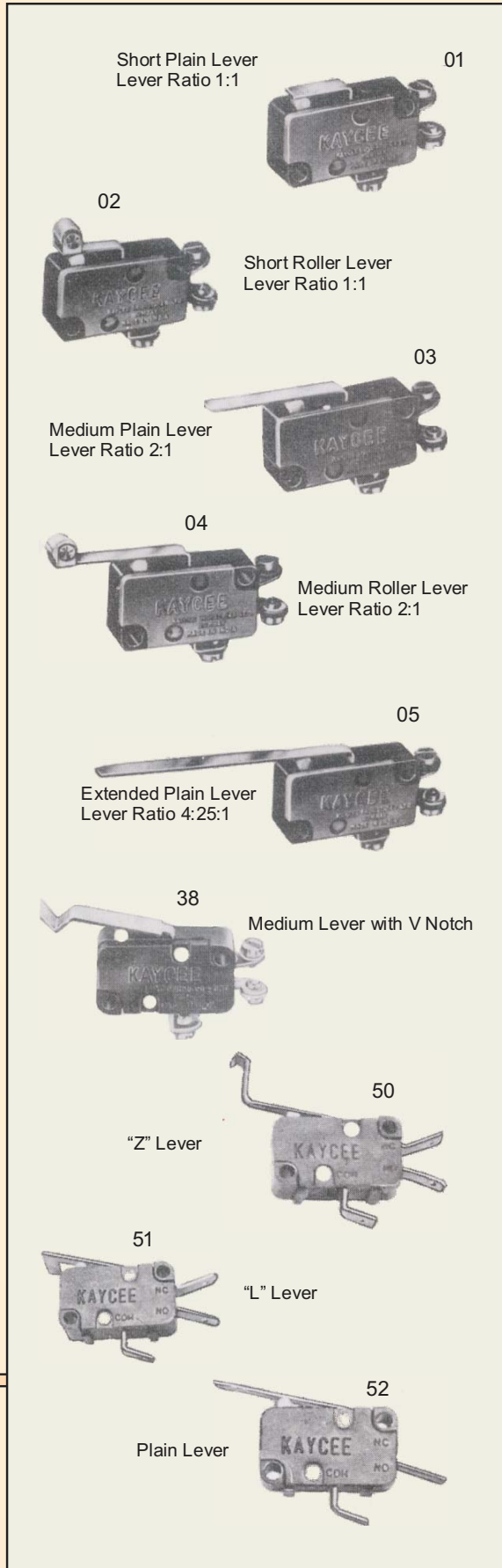


MINIATURE  
**MICROSWITCHES**  
TYPE K3

*Kaycee for Commitment...*  
*Kaycee for Quality...*



# INTEGRAL ACTUATORS



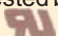
Kaycee Miniature Microswitches type K3 is an extremely versatile switch with "SNAP" action. Operated by light pressure or small movement or both. Its applications are wide used as control gear for Industrial application Automation. Miniature Microswitch with its actuators caters to every possible application where precision, rugged dependability and positive contact are required.

**EXECUTION:** Kaycee Miniature Microswitches are available in three different types of terminals as shown on the reverse page.

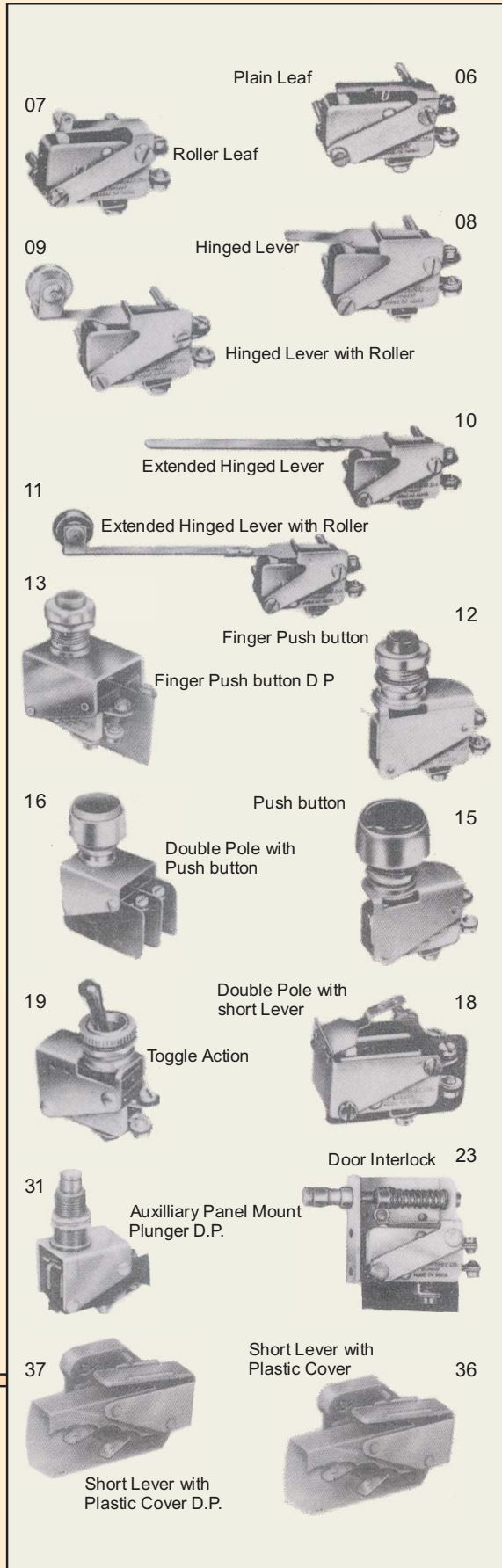
The various types of actuators are shown below. The basic switch can be supplied with any of these terminals, having operating force as shown in the Table along side and actuators to suit individual requirements. Please specify the type of terminal, operating force, current rating and actuator required.

**LONG LIFE:** The switch case is made from high di-electric PHENOLIC material-operating plunger of NYLON-contact blades of BERYLLIUM COPPER and contacts of SILVER alloy thus ensuring long Electrical and Mechanical life.

**CIRCUITRY:** The K3 is available in single pole providing 1 No and 1 NC Changeover contact arrangement.

**SPECIFICATION:** Conforms to JSS 51204 & ISS 6089. Switches have been type approved by Electronic Components Standardisation Organisation ( LCSO ), Ministry of Defence. Switches are tested by underwriter laboratory U. S. A. And have UL recognition. 

# AUXILIARY ACTUATORS



## CURRENT RATING

Voltage	Resistive Load AMPS.	Inductive Load AMPS.
125 V AC	10	10
230 V AC	10	5
440 V AC	5	2
30 V DC	8	On Application
125 V DC	0.5	On Application
230 V DC	0.25	On Application

**HIGH VOLTAGE TEST:** Switches withstand 2 KVAC between current carrying parts and accessible metal parts & 1 KV AC between open contacts.

**TEMPERATURE:** Operational range is from - 40° C to + 70° C

**TERMINALS:** Screw Push-on and Soldered type. Switches with PCB mounting terminals on request.

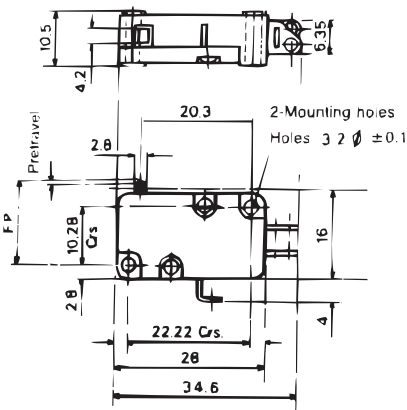
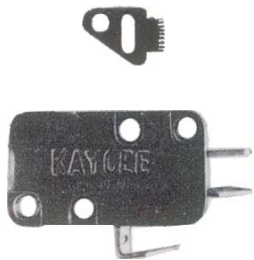
### LIFE EXPECTANCY

A) Mechanical 100,000 operations  
 B) Electrical 100,000 operations  
 at rated resistive current under normal conditions

Operating Force Max	Release Force Min	Rating	Colour of Plunger
400 gms	125 gms	10A/250 V AC	White
200 gms	75 gms	5A/250 V AC	Yellow
100 gms	40 gms	3A/250 V AC	Blue
50 gms	20 gms	2A/250 V AC	Red

**DIMENSIONS OF  
BASIC SWITCH  
SOLDER TAG TERMINALS**

**K3-A**



DRG. NO K3-D. 3192/1

**CHARACTERISTICS**

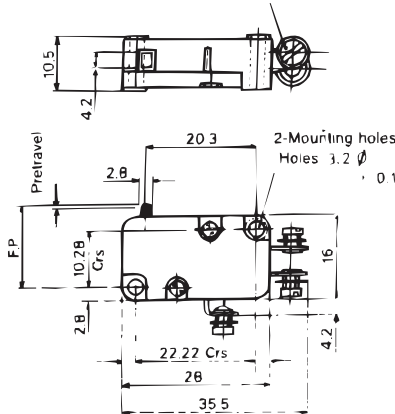
- 1) F.P. - 16.26 ( Max )
- 2) Pretravel - 1.2 ( Max )
- 3) M.D. - 2.5 ( Max )
- 4) O.T. - Plunger may be depressed flush with case.

**SCREW TERMINALS**

**K3-B**



6-B, A Cheese Hd Terminal Screw (3 Nos.)

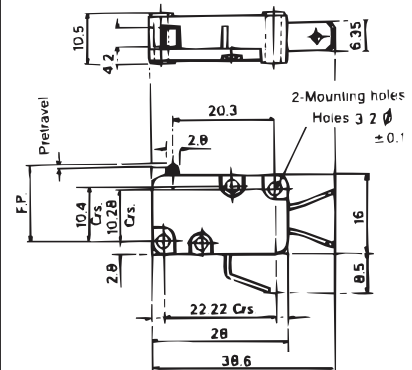


DRG. NO K3-D. 3192/1

Product improvement being a continuous process at KAYCEE the product supplied may differ from that illustrated and described in the literature.

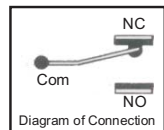
**PUSH-ON TERMINALS**

**K3-C**



DRG. NO K3-D. 3192/1

GENERAL TOLERANCE	
FULL FIGURE	±1
UP TO 1 <sup>st</sup> DECIMAL	±0.5
UP TO 2 <sup>nd</sup> DECIMAL	±0.25



All dimensions are in mm.



Manufactured by:  
**KAYCEE INDUSTRIES LIMITED**

32, Ramjibhai Kamani Road, Ballard Estate,  
Mumbai - 400 001.  
Tel. : +91 (22) 2261 3521 / 22 / 23  
Fax : +91 (22) 2261 6106  
E-mail : kayceeindltd@vsnl.com  
Website : www.kayceeindustries.com

**Branch Offices :**

Delhi : 0931 20 04687  
Kolkata : 093392 00968  
Indore : 093007 51464  
Bangalore : 093428 53324  
Chennai : 093812 01556

