

KAYCEE

TWIN ROTARY TOGGLE SWITCHES (WATHER TIGHT)



TYPE :
2RT 1000 A-N

KAYCEE Twin Rotary Toggle Switches type 2 RT 1000 A-N incorporate two independent. Q.M.B. mechanisms protected in a metallic housing, suitable for outdoor installation as they are weather tight. These switches are recommended for their quick installation and use in all weather conditions. Installation is by fixing two suitable screws. Easy wiring is through a conduit entry size M -20 x 1.5 mm Pitched tap.

CIRCUITARY :

Two independent single pole switches with ON-OFF function.

NOMINAL RATING :

6A/250V DC or 500V AC.

SPECIFICATIONS :

Switches comply with the relevant clauses of the following specifications:

ISS 13947 (Part 1 & 5) of 1993

BSS 5419 of 1977

TEMPERATURE:

Operational range is from -45° C to 85° C.

VOLTAGE PROOF :

Switches are tested to 2.5 KV AC between current carrying parts and accessible metal parts.

TERMINALS :

Screw Terminals

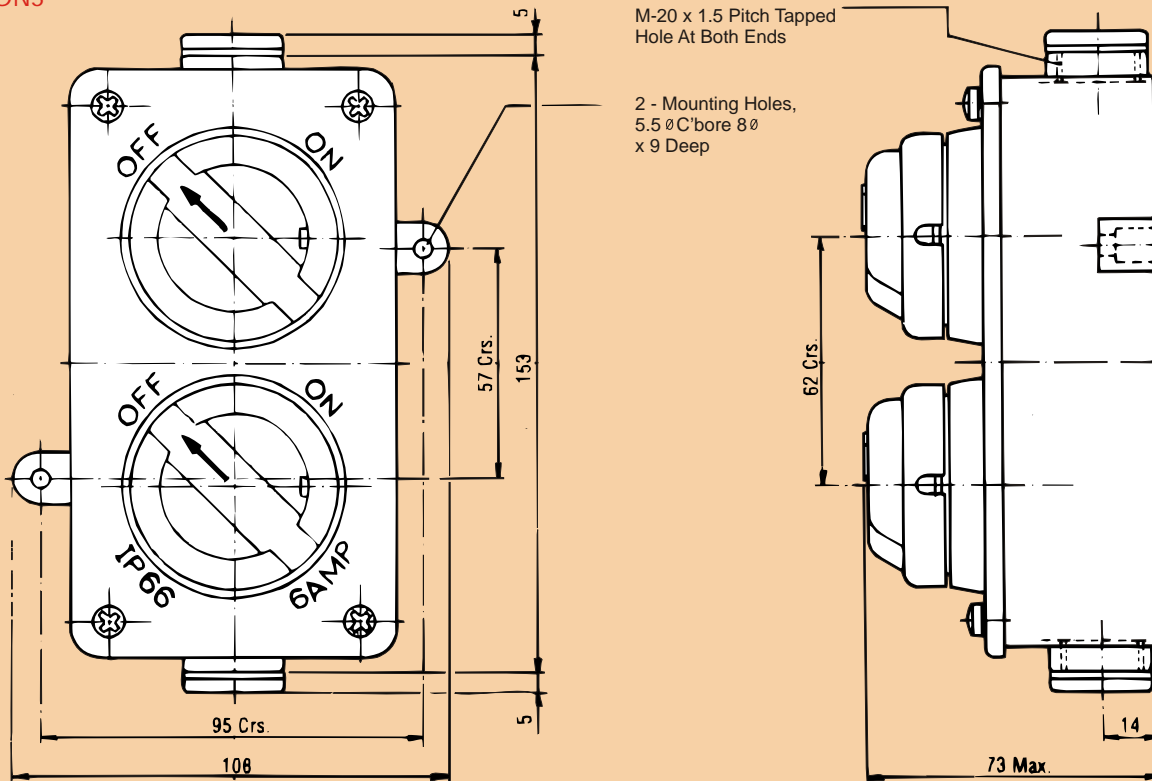
OPERATING FORCE (TORQUE) :

7 Kg. Cm

WEIGHT :

488 gms. (approx.)

DIMENSIONS



ALL DIMENSIONS ARE IN M.M.

GENERAL TOLERANCES	
Full Figures	± 1
Upto 1st Decimal	± 0.5
Upto 2nd Decimal	± 0.25
Angle	± ½°

KAYCEE

ROTARY TOGGLE SWITCHES WITH PLUG AND SOCKET (WEATHER TIGHT)

KAYCEE Rotary Toggle Switches with Plug and Socket, incorporate a switch with Q.M.B. mechanism protected in a metallic housing, suitable for outdoor installation as they are weather tight. The assembly is available with Plug and Socket with and without shutters. The plug consists of suitable rated fuse for over-loading protection. These switches are recommended for their Quick installation and use in all weather condition. Installation is by fixing two suitable screw. Easy wiring is through a conduit entry size M-25 x 2 mm. pitch tap.

CIRCUITARY :

Single pole with ON-OFF function.

NOMINAL RATING :

13A and 15A 250V DC or 500V AC.

SPECIFICATIONS :

Switches comply with the relevant clauses of the following specifications:

ISS 13947 (Part 1 & 5) of 1993

BSS 5419 of 1977 I.E.C. : 669-1

TEMPERATURE:

Operation range is from -45° C to 85° C.

VOLTAGE PROOF :

Switches are tested to 2.5 KV AC between current carrying parts and accessible metal parts.

TERMINALS :

Screw Terminals.

OPERATING FORCE (TORQUE) :

10 Kg. Cm

WEIGHT :

13 Amps: 738gms. (Approx.)

15 Amps: 764 gms. (approx.)

NOTE : 13 AMP available with shutters and without shutters.

Please specify while ordering.

15 AMP available with shutters only.

KAYCEE Manufactured by
KAYCEE INDUSTRIES LIMITED
 32, Ramjibhai Kamani Road, Ballard Estate, Mumbai 400 001
 Tel.: 91-22-22613521/22/23 Fax : 91-22-22616106
 Website - www.kayceeindustries.com Email: kayceeindltd@vsnl.com

OFFICES AT:

BANGALORE : C/O. CMS Computers Ltd., #9/2, First Floor, Dhondusa Complex, Residency Road, Bangalore-560 025.Mob - 9324853324

CHENNAI : C/o. CMS Computers Ltd, CMS Tower 42, Cathedral Road, CHENNAI - 600 086. Mob - 9381201556

KOLKATTA : C/o. M/s. CMS Computers Ltd. 10/D/2, Hochi Minh Sarani, 1st Floor, Calcutta - 700 071. Mob - 9339723155

NEW DELHI : C/o. CMS Computers Limited, 35 - A, Rear Building, Near CTC Plaza, Opp.Maharani Bagh, Ring Road Kilokari, N-Delhi - 110 014. Mob - 9312004687

INDORE : Mob : 9300751464

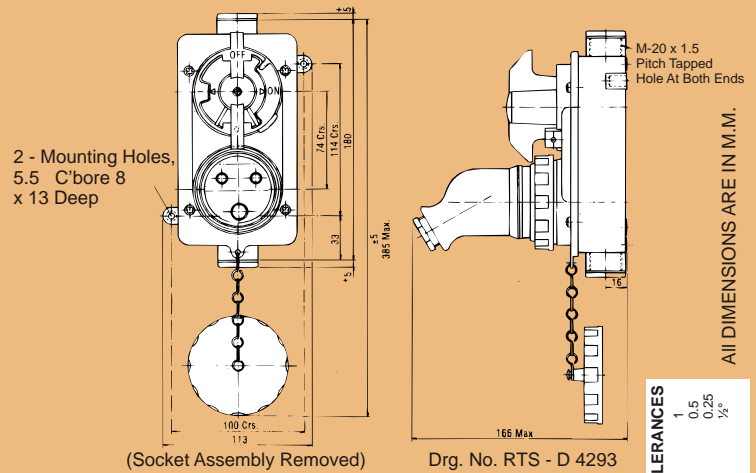
GUWAHATI : Mob : 9864279934



TYPE :
 RT 1000 B / PS / S - N
 RT 1000 C / PS / S - N

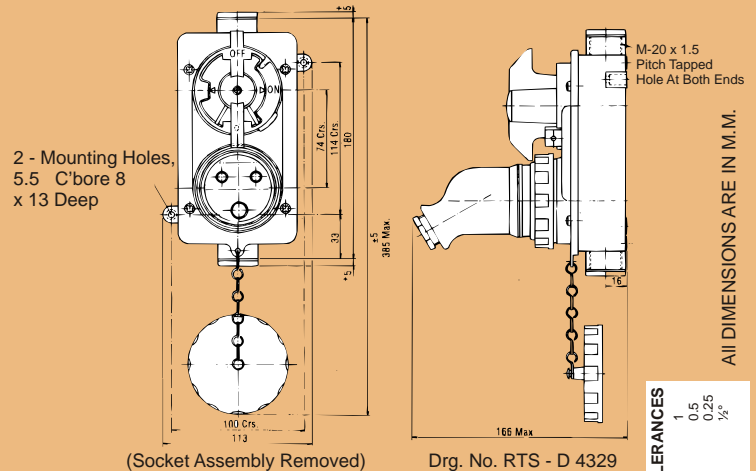
DIMENSIONS

13 AMP Plug & Socket



GENERAL TOLERANCES	
Full Figures	1
Up to 1st Decimal	0.5
Up to 2nd Decimal	0.25
Angle	1/2°

15 AMP Plug & Socket



GENERAL TOLERANCES	
Full Figures	1
Up to 1st Decimal	0.5
Up to 2nd Decimal	0.25
Angle	1/2°

Product improvement bring a continuous process of Kaycee. A product supplied may differ from that illustrated and described in literature

